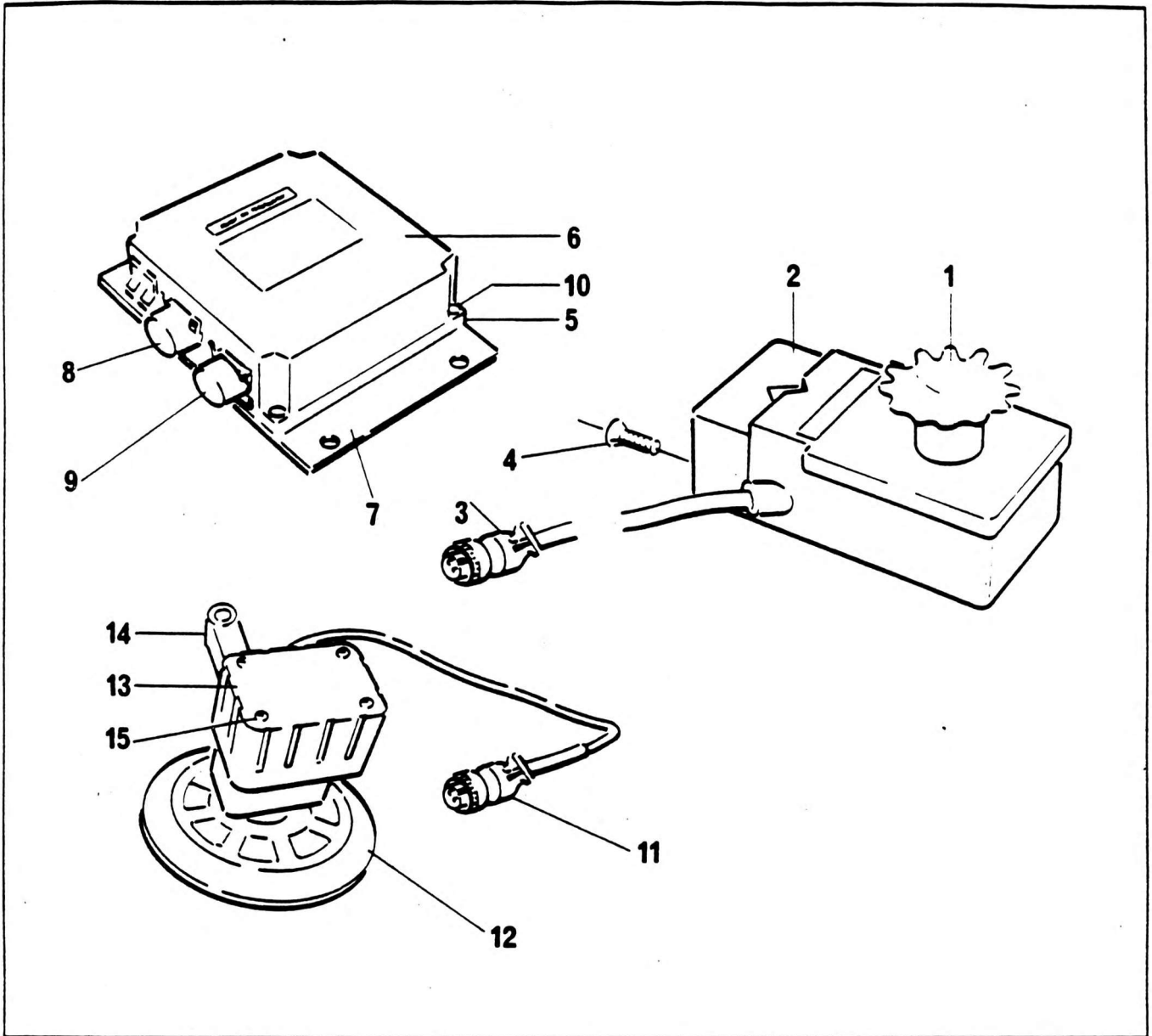


BARREL ROTATION INDICATOR ASSEMBLY



NO	PART NO	QTY	DESCRIPTION	NO	PART NO	QTY	DESCRIPTION
-	7-486-990267	1	Complete Assembly	7	9-486-100160	1	Mounting Plate
-	9-486-100151	1	Drum Rotation Indicator Comprises Items 1 to 4	8	9-486-100161	1	Flange Type 7 Pins
-	9-486-100152	1	Control Unit Compr. Items 5 to 10	9	9-486-100162	1	Flange Type 4 Pins
-	9-486-100153	1	Drum Rotation Sensor Comprises Items 11 to 15	10	9-486-100163	4	Cap Screw M4 x 20
1	9-486-100154	1	Nibble Wheel	11	9-486-100164	1	Plug c/w Cable
2	9-486-100155	1	Clamping Plate	12	9-486-100165	1	Wheel
3	9-486-100156	1	Plug 7 Pins c/w Cable	13	9-486-100166	1	Housing
4	9-486-100157	4	Screw	14	9-486-100167	1	Fixing Device
5	9-486-100158	1	Electronic Board 12v	15	9-486-100168	4	Screw
6	9-486-100159	1	Housing Cover				

7-486-990267  
Issue No. 00